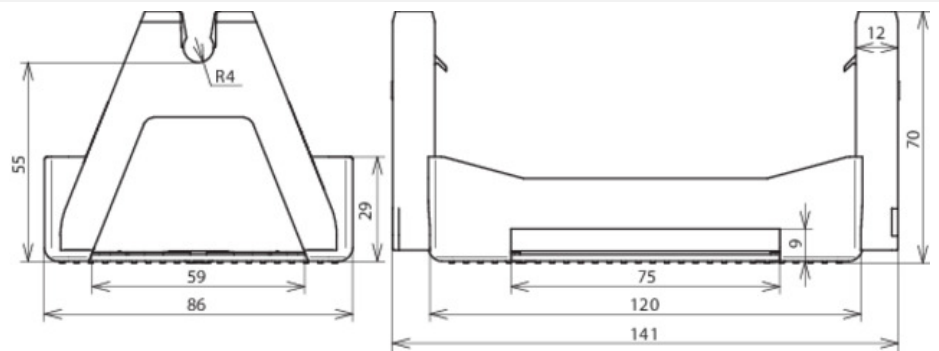


DLH KF2 8 LO 141X86X70 (253 051)



Figure without obligation



| Type | DLH KF2 8 LO 141X86X70 |
|---|--|
| Part No. | 253 051 |
| Conductor routing | loose |
| Material of conductor holder | plastic |
| Colour of conductor holder | black • |
| Conductor support Rd | 8 mm |
| Dimensions | 141 x 86 x 70 mm |
| Application note | for flat roofs with plastic, sealing or flat roofing sheets |
| Fixing possibility | for clamping into roofing sheet stripes (approx. 300 x 70 mm) (not included in delivery) which are welded with or adhered to the roof foil |
| Weight | 38 g |
| Customs tariff number (Comb. Nomenclature EU) | 85389099 |
| GTIN | 4013364079823 |
| PU | 100 pc(s) |

We reserve the right to introduce changes in performance, configuration and technology, dimensions, weights and materials in the course of technical progress. The figures are shown without obligation.